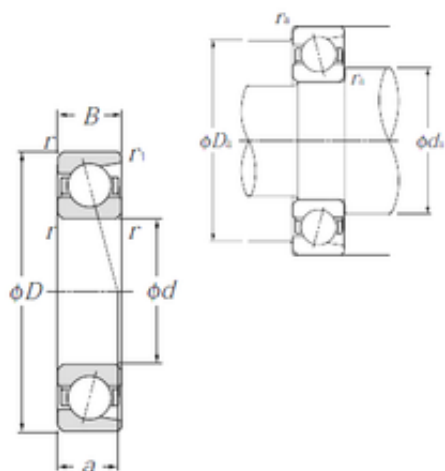




KOYO motoristas, INC.

50 mm x 110 mm x 27 mm NTN 7310 Rolamentos de esferas de contacto angular



Bearing No. 7310

Size	50x110x27 mm
Bore Diameter	50 mm
Outer Diameter	110 mm
Width	27 mm
d	50 mm
D	110 mm
B	27 mm
C	27 mm
Angle (°)	25 °
a	36,5 mm
r min.	2 mm
r1 min.	1 mm
da min.	60 mm
db min	55,5 mm
ra max.	2 mm
Weight	1,09 Kg
Basic dynamic load rating (C)	74,5 kN
Basic static load rating (C0)	52,5 kN
(Grease) Lubrication Speed	7 100 r/min
Contact angle	30 °
rs min	2 mm
r1s min	1 mm
Mass	1.09 kg
Dynamic load, C	74.5 kN
Static load, C0	52.5 kN

7310 Bearing 2D drawings and 3D CAD models



KOYO motoristas, INC.

Fatigue limit load, Cu	2.39 kN
Nlim (oil)	9,400 rpm
Nlim (grease)	7,100 rpm
Min operating temperature, Tmin	-40 ° C
Max operating temperature, Tmax	120 ° C
Characteristic cage frequency, FTF	0.4 Hz
Characteristic rolling element frequency, BSF	4.13 Hz
Characteristic outer ring frequency, BPF0	4.79 Hz
Characteristic inner ring frequency, BRFI	7.21 Hz
da min	60 mm
Da max	100 mm
Db max	104.5 mm
r1a max	1 mm
ra max	2 mm
Category	Angular Contact Ball Bearings
Inventory	0.0
Manufacturer Name	NTN
Minimum Buy Quantity	N/A
Weight / Kilogram	1.11
Product Group	B00308
Enclosure	Open
Flush Ground	No
Rolling Element	Ball Bearing
Number of Rows of Balls	Single Row
Precision Class	ABEC 1 ISO P0
Maximum Capacity / Filling Slot	No
Snap Ring	No



KOYO motoristas, INC.

Cage Material	Steel
Contact Angle	30 Degree
Internal Clearance	C0-Medium
Number of Bearings	1 (Single)
Inch - Metric	Metric
Long Description	50MM Bore; 110MM Outside Diameter; 27MM Width; Open; No Flush Ground; Ball Bearing; Single Row of Balls; ABEC 1 ISO P0; No Filling Slot; No Snap Ring; C0-Medium; Steel Cage; 30 Degree; 1 (Single)
Category	Angular Contact Ball Bearing
UNSPSC	31171531
Harmonized Tariff Code	8482.10.50.28
Noun	Bearing
Keyword String	Angular Contact
Manufacturer URL	http://www.ntnamerica.com
Bore	1.969 Inch 50 Millimeter
Width	1.063 Inch 27 Millimeter
Outside Diameter	4.331 Inch 110 Millimeter