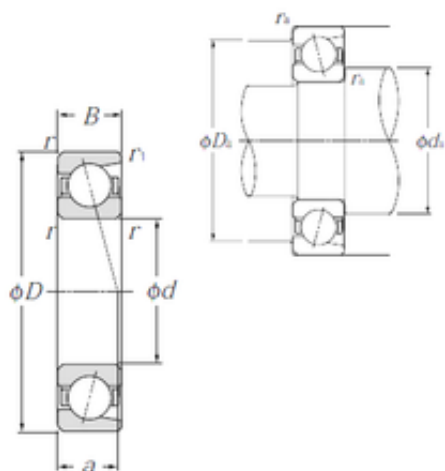




KOYO motoristas, INC.

75 mm x 160 mm x 37 mm NTN 7315 Rolamentos de esferas de contacto angular



Bearing No. 7315

Size	75x160x37 mm
Bore Diameter	75 mm
Outer Diameter	160 mm
Width	37 mm
d	75 mm
D	160 mm
B	37 mm
C	37 mm
Angle (°)	25 °
a	52,5 mm
r min.	2,1 mm
r1 min.	1,1 mm
da min.	87 mm
db min	82 mm
ra max.	2 mm
Weight	3,07 Kg
Basic dynamic load rating (C)	136 kN
Basic static load rating (C0)	106 kN
(Grease) Lubrication Speed	4 800 r/min
Contact angle	30 °
rs min	2.1 mm
r1s min	1.1 mm
Mass	3.07 kg
Dynamic load, C	136 kN
Static load, C0	106 kN

7315 Bearing 2D drawings and 3D CAD models



KOYO motoristas, INC.

Fatigue limit load, Cu	4.45 kN
Nlim (oil)	6,300 rpm
Nlim (grease)	4,800 rpm
Min operating temperature, Tmin	-40 ° C
Max operating temperature, Tmax	120 ° C
Characteristic cage frequency, FTF	0.4 Hz
Characteristic rolling element frequency, BSF	4.18 Hz
Characteristic outer ring frequency, BPF0	4.81 Hz
Characteristic inner ring frequency, BRFI	7.19 Hz
da min	87 mm
Da max	148 mm
Db max	153 mm
r1a max	1 mm
ra max	2 mm
Category	Angular Contact Ball Bearings
Inventory	0.0
Manufacturer Name	NTN
Minimum Buy Quantity	N/A
Weight / Kilogram	3.126
EAN	4547359452181
Product Group	B00308
Enclosure	Open
Flush Ground	No
Rolling Element	Ball Bearing
Number of Rows of Balls	Single Row
Precision Class	ABEC 1 ISO P0
Maximum Capacity / Filling Slot	No



KOYO motoristas, INC.

Snap Ring	No
Cage Material	Steel
Contact Angle	30 Degree
Internal Clearance	C0-Medium
Number of Bearings	1 (Single)
Inch - Metric	Metric
Long Description	75MM Bore; 160MM Outside Diameter; 37MM Width; Open; No Flush Ground; Ball Bearing; Single Row of Balls; ABEC 1 ISO P0; No Filling Slot; No Snap Ring; C0-Medium; Steel Cage; 30 Degree; 1 (Single)
Category	Angular Contact Ball Bearing
UNSPSC	31171531
Harmonized Tariff Code	8482.10.50.28
Noun	Bearing
Keyword String	Angular Contact
Manufacturer URL	http://www.ntnamerica.com
Width	1.457 Inch 37 Millimeter
Bore	2.953 Inch 75 Millimeter
Outside Diameter	6.299 Inch 160 Millimeter