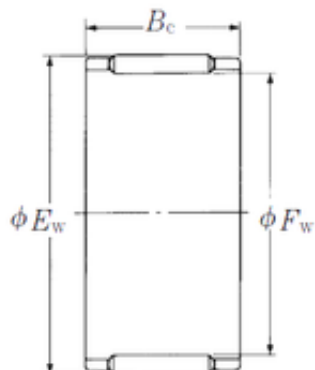




NSK FBNP-81113 Rolamentos de agulha



Bearing No. FBNP-81113

Bore Diameter	8 mm
Outer Diameter	11 mm
Fw	8 mm
Ew	11 mm
Bc	13 mm
Weight	0,0026 Kg
Basic dynamic load rating (C)	4,75 kN
Basic static load rating (C0)	5,15 kN
(Grease) Lubrication Speed	34000 r/min
(Oil) Lubrication Speed	56000 r/min
hidYobi	FBNP-81113
LangID	1
Prod_Type3	NRB_CNRA_FWF-FWJ
d	8
D_	11
DA_	1.5
Z_	10
C	4.75
B_	13
hidTable	ecat_NSCRA
yobi	FBNP-81113
mass	2.6
GRS rpm	34000
OIL rpm	56000
SDM_	9.5
KBRG	8118

FBNP-81113 Bearing 2D drawings and 3D CAD models



KOYO motoristas, INC.

C0	5.15
SLR	9.8