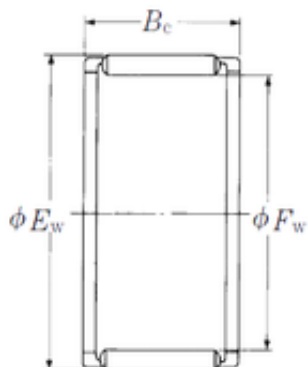




**NSK FWF-182213 Rolamentos de agulha**



Bearing No. FWF-182213

Bore Diameter	18 mm
Outer Diameter	22 mm
Fw	18 mm
Ew	22 mm
Bc	13 mm
Weight	0,0066 Kg
Basic dynamic load rating (C)	9,45 kN
Basic static load rating (C0)	12,9 kN
(Grease) Lubrication Speed	15000 r/min
hidYobi	FWF-182213
LangID	1
Prod_Type3	NRB_CNRA_FWF-FWJ
d	18
D_	22
DA_	2
Z_	18
C	9.45
B_	13
hidTable	ecat_NSCRA
yobi	FWF-182213
mass	6.6
GRS rpm	15000
OIL rpm	24000
SDM_	20
KBRG	8113
C0	12.9

FWF-182213 Bearing 2D drawings and 3D CAD models



## KOYO motoristas, INC.

SLR	9.8
-----	-----